



**Non-Electric, Fluid-Driven  
Proportional Injectors**

# **SUPERDOS<sup>®</sup>**

**15, 20, 30, 45 and 80 low-high flow series**

**Fluid Flow Range:**

0.04 gpm to 80 gpm  
0,15 l/mn to 341 l/mn

**Injection Range:**

0.025% to 10% (1:4000 to 1:10)

**Operating Pressure:**

3 to 100 psi\*\*  
0,21 to 6,9 bar

\*\* SuperDos 45 5% model maximum is 80 psi (5,5 bar)

\*\* SuperDos 20 10% model maximum is 65 psi (4,5 bar)

\*\* SuperDos 15 models maximum is 60 psi (4,1 bar)



## **Key features to look for in an injector:**

- > No extra cost for proprietary composite body, which exceeds PVDF for chemical compatibility and for mixing aggressive chemicals.
- > No extra cost for built-in on/off switch (not included on 15 & 20 models), which allows user to stop the injection — but not the system.
- > Separate internal mixing chamber to prevent chemical contact with motor piston — for longer life and uniform mixing.
- > Highest standard operating pressure in the industry, minimizing pressure surge damage.
- > Interchangeable lower ends and can adjust ratios while in operation



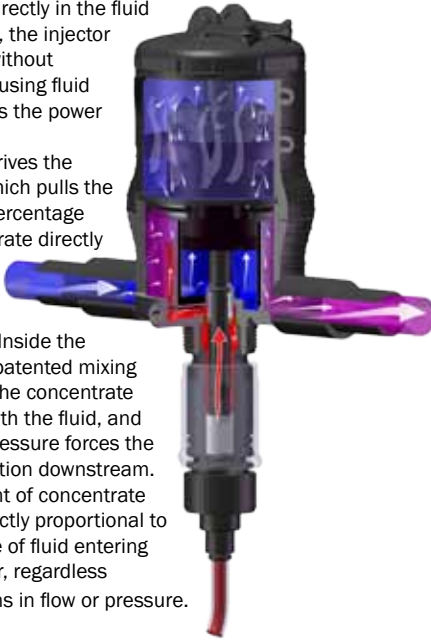
**LIMITED  
WARRANTY**

Certified ISO 9001:2008 Quality Management System

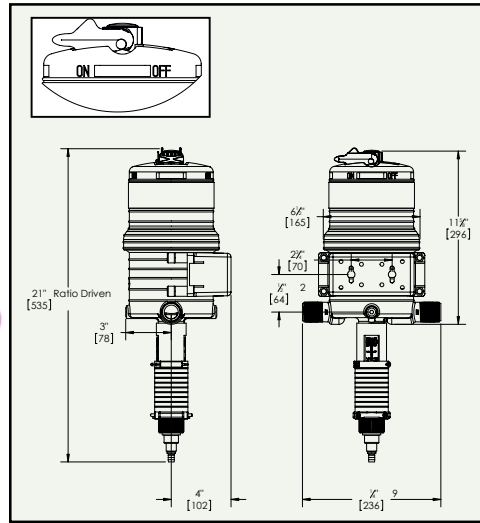
### Operating Principle...

Installed directly in the fluid supply line, the injector operates without electricity, using fluid pressure as the power source.

The fluid drives the injector, which pulls the required percentage of concentrate directly from the chemical solution container. Inside the Dosmatic patented mixing chamber, the concentrate is mixed with the fluid, and the fluid pressure forces the mixed solution downstream. The amount of concentrate will be directly proportional to the volume of fluid entering the injector, regardless of variations in flow or pressure.



### Size



Each Dosmatic purchase includes the following items:

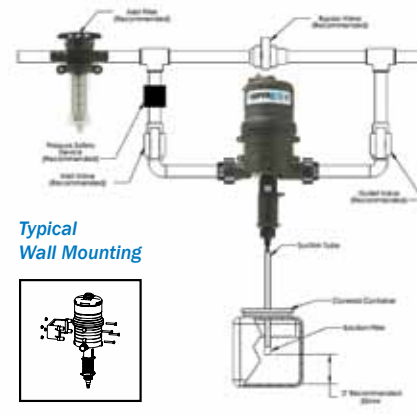
- manual
- suction hose and filter
- mounting bracket
- wear parts kit (dosage piston and O-ring; 0.3% model includes lower shaft)

### To Optimize your Dosmatic:

- install a filter (140 mesh (104 micron) filter upstream of injector based on fluid quality.
- It is recommended to change the wear parts every 6 months, one set is included in the purchase of your injector.
- Rinse with clear water when not in use.
- Install necessary protections for excess flow and pressure.
- Install on a 3-valve bypass.

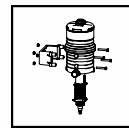
### By-Pass

#### Installation



### Typical

#### Wall Mounting



For all other installation questions, please contact your Dosmatic representative.

### \*Warranty Details:

The cover and body are warranted to be free from defects in materials and workmanship for **(3)** years from date of purchase.

The motor piston is warranted to be free from defects in materials and workmanship for **(2)** years from date of purchase.

The lower end is warranted to be free from defects in materials and workmanship for **(1)** year, from the date of purchase.

**Each model is 100% factory tested.**  
For information on other models, accessories and particular systems please contact your Dosmatic representative.

### General Information

Housing	Proprietary Engineered Composite Material
Dosing Accuracy	+/- 10% of ratio
Repeatability	+/- 3% of ratio
Pressure Loss	Available upon request
Maximum Temp.	100°F/38°C
Minimum Temp.	34°F / 1°C
Maximum vertical suction of concentrate	13 Feet / 3.6 Meter
Maximum horizontal suction of concentrate	49 Feet / 15 Meter
Self-Priming	Yes
Seal Material Available: *Contact your Dosmatic representative for specific chemical information	Aflas Viton EPDM Kalrez Teflon Coated
Maximum Viscosity	1,500 cP (Ex. Honey)
Recommended Accessories	140 + mesh filter, check valve, pressure regulator, flow restrictor.

### Available for SuperDos

#### Mobile Cart System: 1" for the SuperDos



#### Twist II Clean Filter 3/4", 1" and 2"



### Viscosity Kit:

Available for High Viscosity chemicals.



### External Injection Kit for highly corrosive chemicals (SuperDos 15TF Shown)

Installation shown plumbing sold separately. Reduced maximum operating range may apply.



### Injector in series with remote injection

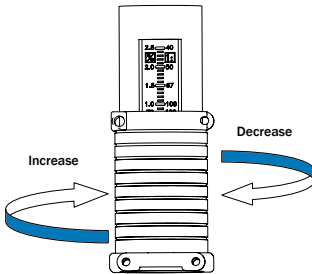
Installation shown plumbing sold separately. Reduced maximum operating range may apply.



### Ratio

#### Adjustment

The injection rate is set by lining up the top of the ratio sleeve with desired ratio on the scale. The amount of injected concentrate is proportional to the amount of fluid coming into the Dosmatic injector: i.e. adjustment at 1% = 1:100 = 1 volume of concentrate + 100 volumes of fluid entering the injector. **Check your manual for specific setting by model.**



### Selecting an injector with the correct ratio range

For optimal usage, your required injection ratios should be within the top 75% of the total range.



### Markets

Animal Health, Bio-Decontamination, Chemical Manufacturing and Supply, Food Processing, Horticulture, Metal Processing, Odor/Misting Control and Cooling, Pest Control, Printed Circuit Boards, Printing, Sanitation & Hygiene, Specialty Applications, Vehicle Wash, Water and Wastewater Treatment.

### Principal Applications

Chlorination, Cleaning, Cutting Fluids, Descaling, Decontamination, Degreasing, Disinfecting, Dispersants, Fertigation, Hydroponics, Inhibitors, Lubrication, Medication, Misting Systems, Odor Control, Pesticides, PH/TH Correction, Rinsing, Sanitizing, Soaps & Foams, Surfactants, Weed Control.

# SuperDos Injector Series-Specifications



## SuperDos15TF\* 15 gpm (60 max. psi)

**Model 0.3%** 0.025% - 0.3% (1:4000 - 1:333)

**Model 2.5%** 0.2% - 2.5% (1:500 - 1:40)

**Model 5%** 0.4% - 5% (1:250 - 1:20)

**Flow Rate:** .04 - 15 gpm (0,15 - 57 l/mn)

**Operating Pressure:** 3 - 60 psi (0,21 - 4,1 bar)

**Pipe Coupling:** 1" NPT/BSP

\*Tank Feed



## SuperDos 20 gpm (100 max. psi)

**Model IA\*** 0.2% - 2.3% (1:500 - 1:44)

**Model 0.3%** 0.025% - 0.3% (1:4000 - 1:333)

**Model 2.5%** 0.2% - 2.5% (1:500 - 1:40)

**Model 5%** 0.4% - 5% (1:250 - 1:20)

**Flow Rate:** .04 - 20 gpm (0,15 - 76 l/mn)

**Operating Pressure:** 5 - 100 psi (0,34 - 6,9 bar)

**Pipe Coupling:** 1" NPT/BSP

\*Internal Adjustment

## SuperDos 20 gpm (65 max. psi)

**Model 10%** 2% - 10% (1:50 - 1:10)

**Flow Rate:** .04 - 20 gpm (0,15 - 76 l/mn)

**Operating Pressure:** 5 - 65 psi (0,34 - 4,5 bar)

**Pipe Coupling:** 1" NPT/BSP



## SuperDos 30 gpm (100 max. psi)

**Model IA\*** 0.2% - 2.3% (1:500 - 1:44)

**Model 0.3%** 0.025% - 0.3% (1:4000 - 1:333)

**Model 2.5%** 0.2% - 2.5% (1:500 - 1:40)

**Model 5%** 0.4% - 5% (1:250 - 1:20)

**Flow Rate:** .15 - 30 gpm (0,57 - 114 l/mn)

**Operating Pressure:** 5 - 100 psi (0,34 - 6,9 bar)

**Pipe Coupling:** 1" NPT/BSP

\*Internal Adjustment



## SuperDos 45 gpm (100 max. psi)

**Model 0.3%** 0.025% - 0.3% (1:4000 - 1:333)

**Model 2.5%** 0.2% - 2.5% (1:500 - 1:40)

**Flow Rate:** .50 - 45 gpm (1,9 - 170 l/mn)

**Operating Pressure:** 5 - 100 psi (0,34 - 6,9 bar)

**Pipe Coupling:** 1 1/4" NPT/BSP

## SuperDos 45 gpm (80 max. psi)

**Model 5%** 0.4% - 5% (1:250 - 1:20)

**Flow Rate:** .50 - 45 gpm (1,9 - 170 l/mn)

**Operating Pressure:** 5 - 80 psi (0,34 - 5,5 bar)

**Pipe Coupling:** 1 1/4" NPT/BSP

## SuperDos 80 gpm (100 max. psi)

**Model 2.5%** 0.2% - 2.5% (1:500 - 1:40)

**Flow Rate:** 1 - 90 gpm (3,8 - 341 l/mn)

**Operating Pressure:** 5 - 100 psi (0,34 - 6,9 bar)

**Pipe Coupling:** 1 1/4" NPT/BSP (Injectors)

2" slip on pipe connections







Dosmatic is the global technology leader and pioneer in the chemical injector and dosing industry. Spanning 70 countries with a strong network of distributors and service centers. Dosmatic provides the products, warranty, and service philosophy that spell out the true difference.

## OUR MISSION

We will design, produce and supply the highest quality products.  
Offer the highest levels of knowledge and service.  
We will develop innovative products and solutions for our worldwide partners and customers.

Made in the U.S.A.



**Dosmatic U.S.A. / International, Inc.**

Tel: (972) 245-9765 or Toll Free (800) 344-6767

Fax: (972) 245-9000

Email: [info@dosmatic.com](mailto:info@dosmatic.com)

[www.dosmatic.com](http://www.dosmatic.com)